

**TOSHIBA**

# **SERVICE MANUAL**


**NETWORK EXPANSION KIT**

# **GA-1170**



© 2005 TOSHIBA TEC CORPORATION

All rights reserved

Parts marked with “” are important for maintaining the safety of the machine. Be sure to replace these parts with the replacement parts specified to maintain the safety and performance of the machine.

## **General Precautions for Installation/Service/Maintenance for the GA-1170**

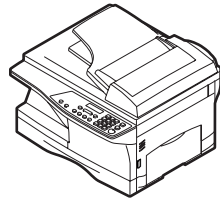
The installation and service should be done by a qualified service technician.

1. When installing the GA-1170 to the Equipment, be sure to follow the instructions described in the "Unpacking/Set-Up Procedure for the GA-1170" booklet which comes with each unit of the GA-1170.
2. The GA-1170 should be installed by an authorized/qualified person.
3. Before starting installation, servicing or maintenance work, be sure to turn OFF and unplug the equipment first.
4. When servicing or maintaining the GA-1170, be careful about the rotating or operation sections such as gears, pulleys, sprockets, cams, belts, etc.
5. When parts are disassembled, reassembly is basically the reverse of disassembly unless otherwise noted in this manual or other related materials. Be careful not to reassemble small parts such as screws, washers, pins, E-rings, toothed washers to the wrong places.
6. Basically, the machine should not be operated with any parts removed or disassembled.
7. Delicate parts for preventing safety hazard problems (such as switches, sensors, etc. if any) should be handled/installed/adjusted correctly.
8. Use suitable measuring instruments and tools.
9. During servicing or maintenance work, be sure to check the serial No. plate and other cautionary labels (if any) to see if they are clean and firmly fixed. If not, take appropriate actions.
10. The PC board must be stored in an anti-electrostatic bag and handled carefully using a wristband, because the ICs on it may be damaged due to static electricity. Before using the wrist band, pull out the power cord plug of the equipment and make sure that there is no uninsulated charged objects in the vicinity.
11. For the recovery and disposal of used GA-1170, consumable parts and packing materials, it is recommended that the relevant local regulations/rules should be followed.
12. After completing installation, servicing and maintenance of the GA-1170, return the GA-1170 to its original state, and check operation.

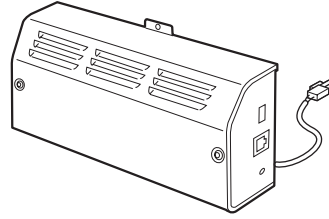
# CONTENTS

|  |       |
|--|-------|
| [ 1 ] CONFIGURATION .....                  | 1 - 1 |
| [ 2 ] SPECIFICATIONS.....                  | 1 - 1 |
| [ 3 ] UNPACKING AND INSTALLATION.....      | 3 - 1 |
| [ 4 ] SETUP IN A WINDOWS ENVIRONMENT ..... | 4 - 1 |
| [ 5 ] UPDATING NETWORK BOX FIRMWARE .....  | 5 - 1 |
| [ 6 ] TROUBLE CODE .....                   | 6 - 1 |
| [ 7 ] CIRCUIT DIAGRAM .....                | 7 - 1 |
| [ 8 ] PWB PARTS LAYOUT .....               | 8 - 1 |

# [ 1 ] CONFIGURATION



e-STUDIO162/162D  
e-STUDIO151/151D



GA-1170

# [ 2 ] SPECIFICATIONS

## 1. BASIC SPECIFICATIONS

| ITEMS  | SPEC   |
|--|--|
| Extensible model   | e-STUDIO162/162D<br>e-STUDIO151/151D   |
| Standard memory  | 64MB   |
| Expansion memory   | DIMM 1slot<br>144pin 128/256MB SO-DIMM   |
| Platform of Client PC  | IBM PC/AT compatible, Macintosh  |
| Useable OS   | Windows98/Me/NT4.0/2000 professional/Windows XP Home Edition/Professional Edition<br><br>Mac OS 8.6-9.x,10.1.5,10.2-10.2.8(w/o 10.2.2)(PS option)  |
| Required hardware(PC)  | (System)<br>The conditions of each OS which can be used are required.<br>(HDD)<br>Exceeding 100M is recommended.<br>(Monitor)<br>800 x 600 dots<br>(Interface)<br>10BASE-T/100BASE-TX Ethernet |
| Required software  | Internet Explorer 5.5 or later<br>Netscape Navigator 6 or later  |
| Extensible option  | PS extensible kit (GA-1180)  |
| Network Protocol   | TCP/IP, IPX/SPX, NetBEUI, Ether Talk   |
| Emulation (The functions which can be used differ by The MFP connected)    | PCL/PS (PS:Cancels by the soft key)  |
| Network Print  | PCL/PS   |
| Network Scan (The functions which can be used differ by The MFP connected) | Scan to E-mail, Scan to FTP, Scan to Desktop   |
| E-mail alert status  | Yes (Cancels by the soft key)  |
| Power supply   | Supplies via copier (AC power supply built-in) AC120mA   |
| Power consumption  | 5.5W   |
| Outside dimension (W x D x H)  | 248mm x 127mm x 59mm   |

| ITEMS           | SPEC   |
|-----------------|--|
| Accessories     | USB cord x 1 (for connection to Copier)<br>Software CD-ROM x 3<br>Screw for installation x1<br>Clamp x 1 (for harness fixation)<br>Installation manual<br>Installation guide<br><br>*An installation manual exists in driver CD-ROM by the pdf file format.  |
| Bundle software | Disk1:Driver CD-ROM for e-STUDIO162/162D, e-STUDIO151/151D<br><ul style="list-style-type: none"> <li>• PCL driver (Win)</li> <li>• PS driver (Win/Mac)</li> <li>• SMON (Win)</li> <li>• PAU (Win)</li> <li>• NIC Manager (Win)</li> <li>• Online manual (Win/Mac)</li> </ul> Disk2:Network setting CD-ROM<br><ul style="list-style-type: none"> <li>• NIC Manager (Win)</li> <li>• Quick Setup (Win)</li> <li>• SC-Print2000 (Win)</li> <li>• Online manual (Win/Mac)</li> <li>• Setup Utility (Mac)</li> </ul> Disk3:Application CD-ROM<br><ul style="list-style-type: none"> <li>• Desktop Document Manager (3 license)</li> </ul> |

## 2. FUNCTION DESCRIPTION

### A. PRINT EMULATION

A difference exists in the function which can be used by execution of the basic performance and composition of the MFP to connect (print size/configuration).

#### (1) comparison table of main print function classified by driver

| Function |                       | PCL5e Custom Driver   | PCL6 (XL)/SPDL2 Custom Driver | PS Custom Driver                      | Macintosh PPD file                      | Windows PPD file                      |
|----------|-----------------------|---|-------------------------------|---------------------------------------|---|---------------------------------------|
| General  | Document Style        | 1-Sided, 2-Sided(Book) 2-Sided(Tablet), Pamphlet Style(Tiled Pamphlet), Pamphlet Style(2-up Pamphlet) |                               |                                       | 1-Sided, 2-Sided(Book), 2-Sided(Tablet) |                                       |
|          | Booklet               | Yes   |                               |                                       | No                                      |                                       |
|          | Binding Edge          | No  |                               |                                       |   |                                       |
|          | N-up                  | 2/4/6/8/16  |                               |                                       |   | Win 9x : 2/4<br>Win2K/XP: 2/4/6/8/16  |
|          | N-up Order            | Z   | Z, Reverse Z, N, Reverse N    |                                       |   | Z                                     |
|          | Custom Paper Size     | 1size   |                               |                                       |   | 3 sizes                               |
|          | Different 1st (Cover) | Yes   |                               |                                       |   | No                                    |
| Graphic  | Resolution Setting    | 600/300 dpi   |                               | 600dpi                                |   |                                       |
|          | Half tone Setting     | No  |                               | Yes                                   | No                                      |                                       |
|          | Graphics Mode         | Raster/HP-GL2   | Raster/Vector                 | No                                    |   |                                       |
|          | Negative Image        | No  |                               | Yes                                   |   |                                       |
|          | Mirror Image          | No  |                               | Yes                                   |   |                                       |
|          | Fit to Page           | Yes   |                               |                                       | X                                       |                                       |
| Font     | Resident Font         | 80 fonts  |                               | 136 fonts, 5 Kanji fonts (Japan only) | 35 fonts, 5 Kanji fonts (Japan only)    | 136 fonts, 5 Kanji fonts (Japan only) |
|          | Download font         | Yes   |                               |                                       | No                                      | Yes                                   |
| Others   | Configuration Setting | Yes (Automatic)   |                               |                                       |   | No                                    |
|          | Job Compression       | No  |                               | Yes                                   | No                                      |                                       |
|          | Bitmap Compression    | No  |                               | Yes                                   | No                                      |                                       |

#### (2) comparison table of printing function for each driver

| The model to connect |                | e-STUDIO162/162D, e-STUDIO151/151D   |                            |    |   |  |
|----------------------|----------------|--|----------------------------|----|---|--|
| Function             |                | PCL5e  | PCL6                       | PS | Mac PPD                                 | Win PPD  |
| General              | Copies         | 1-999  |                            |    |   |  |
|                      | Orientation    | Portrait/Landscape   |                            |    |   |  |
|                      | Collate        | Collate/Group  |                            |    |   |  |
|                      | Document Style | 1-Sided, 2-Sided(Book), 2-Sided(Tablet), Pamphlet Style(Tiled Pamphlet), Pamphlet Style(2-up Pamphlet) |                            |    | 1-Sided, 2-Sided(Book), 2-Sided(Tablet) |  |
|                      | Booklet        | (e-STUDIO162/162D, e-STUDIO151/151D)<br>Invoice on Letter, A5 on A4, Letter on Letter, A4 on A4        |                            |    | No                                      |  |
|                      | Binding Edge   | No   |                            |    |   |  |
|                      | Margin Shift   | No   |                            |    |   |  |
|                      | N-up           | 2/4/6/8/16   |                            |    |   | Win9x: 2/4<br>Win2k/XP: 2/4/6/8/16 <sup>72</sup> |
|                      | N-up order     | Z  | Z, Reverse Z, N, Reverse N |    |   | Z  |

| The model to connect |                       | e-STUDIO162/162D, e-STUDIO151/151D  |                                      |  |  |                       |
|----------------------|-----------------------|---|--------------------------------------|--|--|-----------------------|
| Function             |                       | PCL5e   | PCL6                                 | PS   | Mac PPD  | Win PPD               |
| General              | N-up Border           | On/Off  |                                      |  | Yes<br>(Single hairline/Single thin line/Double hairline/Double thin line) | On/Off <sup>*2</sup>  |
| Paper                | Paper Size            | (e-STUDIO162/162D, e-STUDIO151/151D)<br>A3/B4/A4/B5/A5/B6/A6/11x17/8.5x14/8.5x13/8.5x11/5.5x8.5/Folio/Executive/COM-10/Monarch/DL/C5/8K/16K |                                      |  |  |                       |
|                      | Fit to Page size      | (e-STUDIO162/162D, e-STUDIO151/151D)<br>A4/B5/A5/B6/A6/8.5x14/8.5x13/8.5x11/5.5x8.5/Folio/Executive/COM-10/Monarch/DL/C5/8K/16K             |                                      |  |  |                       |
|                      | Paper Type            | No  |                                      |  |  |                       |
|                      | Custom Paper Size     | 1 size  |                                      |  | 1size <sup>*1</sup>  | 3 sizes <sup>*2</sup> |
|                      | Source Selection      | Auto/Bypass (Auto)  |                                      |  |  |                       |
|                      |                       | e-STUDIO162/162D, e-STUDIO151/151D: Tray 1/2  |                                      |  |  |                       |
|                      | Different 1st (cover) | On/Off  |                                      |  |  | No                    |
|                      | Transparency Inserts  | No  |                                      |  |  |                       |
| Carbon Copy          | No                    |   |                                      |  |  |                       |
| Paper Output         | Output Tray Selection | No  |                                      |  |  |                       |
|                      | Staple                | No  |                                      |  |  |                       |
| Graphic              | Resolution Setting    | 600/300 dpi   |                                      | 600 dpi  |  |                       |
|                      | Half tone Setting     | No  |                                      | Screen Frequency 8 to 360.0 in 0.1 steps<br>Screen angle 0.0 to 360.0 in 0.1 steps | No   |                       |
|                      | Graphics Mode         | Raster<br>HP-GL2  | Raster<br>Vector                     | No   |  |                       |
|                      | Smoothing             | No  |                                      |  |  |                       |
|                      | Toner save            | No  |                                      |  |  |                       |
|                      | Half tone Enhance     | No  |                                      |  |  |                       |
| Graphic              | Brightness            | No  |                                      |  |  |                       |
|                      | Negative Image        | No  | On/Off                               |  |  |                       |
|                      | Mirror Image          | No  | Horizontal/Vertical                  |  |  |                       |
|                      | Zoom                  | No  |                                      |  | 25-400%  |                       |
|                      | Fit to Page           | On/Off  |                                      |  | No   |                       |
| Font                 | Resident Font         | 80 fonts  |                                      | 136 fonts  | 35 fonts   | 136 fonts             |
|                      | Download Font         | Bitmap, TrueType, Graphics  |                                      |  | No   | Type1<br>True Type    |
| Others               | Configuration Setting | Yes (Automatic)   |                                      |  |  | No                    |
|                      | ROPM                  | On/Off  |                                      |  |  |                       |
|                      | Overlay               | On/Off  |                                      |  | No   |                       |
|                      | Print Auditor         | No  |                                      |  |  |                       |
|                      | Job Retention         | No  |                                      |  |  |                       |
|                      | Watermark             | On/Off  |                                      |  | On/Off(With functional restriction)  |                       |
|                      | Page Protection       | No  |                                      |  |  |                       |
|                      | Job Compression       | No  | None, Fastest, Fast, Medium, Best    |  | No   |                       |
|                      | Job Compression       | No  | None, Very High, High, Medium, Draft |  | No   |                       |

\*1:Mac OS 10.1 is not supported.

\*2:Windows NT is not supported.

### (3) PDF/TIFF direct printing function

PDF and TIFF files can be specified from a web page and directly printed out.

### (4) Limitations (printing function)

If a print request for GDI/SPLC data is made, an error message is printed out.

### (5) Printer condition setup

The following setup can be made from the web page.

#### Default Setting Items

| Function  | Item  | Default      |
|---|---|--------------|
|   | e-STUDIO162/162D,<br>e-STUDIO151/151D   |              |
| Copies  | 1-999   | 1            |
| Orientation   | Portrait / Landscape  | Portrait     |
| Default Paper Size  | (Overseas)<br>•Invoice<br>•Letter<br>•Foolscap<br>•Legal<br><br>(Domestic)<br>•A5 •B5 •A4<br>(China - size of AB system)<br>•A5 •B5 •A4<br>•16K | Letter or A4 |
| Default Paper Source  | drop down box select values:<br>•AUTO •Tray1<br>•Tray2<br>•BYPASS   | AUTO         |
| Disable Blank Page Print<br>*When destination language is Japanese. | Enable/Disable  | Disable      |
| 2-Sided Print   | drop down box select values:<br>•1-SIDED<br>•2-SIDED (BOOK)<br>•2-SIDED (TABLET)  | 1-SIDED      |
| ROPM  | Enable / Disable  | Disable      |

### (6) Network status page

The network status pages shows a list of settings about the network.

Data are printed out in the A4 or letter size in US English regardless of the destination and OS language selected.

The status page can be printed out by pressing the status switch on the network expansion kit.

Note:

1. The name of the printer is printed under the item "printer name."
2. When WINS is disabled, "WINS server 1-5" is not displayed. It is displayed when a value is set or information is acquired from the DHCP server.

Any server which responds normally to the registration of WINS is marked with an asterisk "\*".

"WINS server" shows up to 5 values: 2 settings, 2 DHCP values, and broadcast. However, the broadcast operates only when no normal response is returned from any server.

3. The "WINS Scope ID" is displayed only when a value is set or when information is acquired from the DHCP server and more than one piece of information is valid as a WINS server.

## B. NETWORK SCANNING FUNCTION

It is possible to use the MFP scanning function as a network scanner with a network scanner expansion kit. Setups can be made using a Web browser. Supported functions vary with the type of the MFP connected.

### (1) Basic scanning function

| Function        | Item  | e-STUDIO162/162D,<br>e-STUDIO151/151D | Remarks                        |
|-----------------|---|---------------------------------------|--------------------------------|
| Network scanner | Scan to E-mail  | Yes                                   |                                |
|                 | Scan to Desktop   | Yes                                   |                                |
|                 | Scan to FTP server  | Yes                                   |                                |
| Destination     | Specify e-mail address with LDAP  | Yes                                   |                                |
|                 | AdHoc (Enter e-mail address from MFP.)                                  | Yes                                   |                                |
| File format     | JPEG<br>PDF (non-compression, G3, G4)<br>TIFF (non-compression, G4, G4) | Yes                                   | TIFF/PDF multiple page support |

### (2) Scanner settings

| Setting       | Item  | Default                                       | Remarks   |
|---------------|---|---|---|
|               | e-STUDIO162/162D,<br>e-STUDIO151/151D   | e-STUDIO162/162D,<br>e-STUDIO151/151D         |   |
| Scanning size |   | A4 (AB region)<br>Letter (Inch-system region) |   |
| File format   | JPEG color/JPEG gray scale/PDF color/PDF gray scale/PDF monochrome, binary non-compression/PDF monochrome, binary G3 compression/PDF monochrome, binary G4 compression/TIFF color/TIFF gray scale/TIFF monochrome, binary non-compression/TIFF monochrome, binary G3 compression/TIFF monochrome, binary G4 compression | TIFF monochrome, binary G4 compression        |   |
| Color mode    | Monochrome, 2 gradations/Gray scale/Full color  | Monochrome, 2 gradations                      | Available only at the "monochrome".                           |
| Resolution    | 75/100/150/200/300/400/600  | 75  | Selectable resolutions vary with different memory capacities. |
| B/W threshold | 1-254 (default: 128)  | 128   |   |



| Setting      | Item                                  |                                  | Default |       | Remarks   |
|--------------|---------------------------------------|----------------------------------|---------|-------|---|
|              | e-STUDIO162/162D,<br>e-STUDIO151/151D | White/<br>Red/<br>Green/<br>Blue | Green   | White |   |
| Light source | Red/<br>Green/<br>Blue                | White/<br>Red/<br>Green/<br>Blue | Green   | White | Light source can be selected only when the color mode is in "Monochrome". |
| Void         | On/Off                                |                                  | On      |       | When On is selected, the edges of images are cut.                         |

### (3) Send file (message and filename)

- Information contained in filename

Sender name : Use MFP product name.  
Date & Time : Date and time at which file is sent  
Session page counter : Image send counter  
Unique identifier : Automatically created based on the information of the date and time and image send counter.

Example:

e-STUDIO162D\_20000620\_155114\_0057\_06a3f3393948.pdf

- Mail subject

Can be freely set.

Default: Scanned image. device name: e-STUDIOXXX (MFP product name)

Example: Scanned image. device name: e-STUDIO162D

- Mail message

The following messages are added to the image send mail.

Device name: Freely set  
Model: MFP product name  
Location: Freely set  
File type: File type of send image  
Resolution: Resolution of send image

Example;

Device name :e-STUDIO162D  
Model name :e-STUDIO162D  
Location :D2) Planning dept.  
File type :PDF MMR (G4)  
Resolution :200 dpi x 200 dpi

### (4) Recipient registration

[e-STUDIO162/162D, e-STUDIO151/151D]

- Up to 200 destinations can be registered on the network expansion kit to which the scan can be sent from the network scanner.
- The mail address registered for each destination can be selected from the mail address which is searched using LDAP.
- The information for each recipient includes the recipient name, IP address or mail address, scanning size, format type, and scan parameter.
- Either of LDAP-selected or directly-entered mail address scan setting is available. If the destination is a mail address entered through the main system or selected by LDAP, this scan setting is used.
- The destination name is displayed on the LCD.

### (5) Scanning size

[e-STUDIO162/162D, e-STUDIO151/151D]

- Scanning size is the size set up in main unit(Copier). (Apply to the main scan, a subscan, ADF, and OC)

### (6) Scanner limitations

[e-STUDIO162/162D, e-STUDIO151/151D]

- The scanning function is allocated to the network expansion kit. The b Button Manager settings are disabled.
- When the network expansion kit is connected, the scanner function through TWAIN (pull scan) and push scan which used button manager on pc are not available.

### C. FUNCTIONS BY INTERFACE

When the network expansion kit is connected, the following functions are available by system interface.

| System I/F<br>(main unit) | GA-1170 I/F | Function |     |          |          |          |
|---------------------------|-------------|----------|-----|----------|----------|----------|
|                           |             | SPLC     | GDI | PCL5e/6  | PS (*1)  | Net Scan |
| USB2.0                    | RJ45 (LAN)  | No       | No  | Yes      | Yes      | Yes      |
| USB1.1                    | →           | Yes      | No  | No       | No       | No       |
| IEEE1284                  | →           | Yes      | No  | No       | No       | No       |
| USB2.0                    | →           | Yes      | No  | No       | No       | No       |
| USB1.1                    | RJ45 (LAN)  | No       | No  | Yes (*2) | Yes (*2) | No       |
| IEEE1284                  | →           | Yes      | No  | No       | No       | No       |
| USB1.1                    | RJ45 (LAN)  | No       | No  | Yes (*2) | Yes (*2) | No       |
| IEEE1284                  | →           | No       | Yes | No       | No       | No       |

(\*1): PS requires soft keys of the GA-1180.

(\*2): Some functions are not available.

### D. NETWORK SETUP

Network setups should be performed by the system administrator. Use a setup tool such as TCP/IP, Netware, Ether Talk or Web interface.

### E. SOFTWARE SETUP

The network expansion kit can be installed by setting up NIC, installing a printer driver with the total installer, and installing Desktop Document Manager.

#### (1) Installing driver

The network expansion kit printer is connected only through the network. The port setup required for installing a printer driver is the network only. The following items should be set up.

- TCP/IP peer-to-peer port
- 1) Search for the network expansion kit on the network and select the network expansion kit you want or enter the IP address of the applicable network expansion kit to create a TCP/IP port.
  - 2) Install the driver to the created port.
- Windows printer shared port

When the setup of the above client PC is completed and the printer is set to "Windows shared printer," other client PCs can select this printer shared port and then proceed to installation of the driver.

### F. HARDWARE SETUP

Supplied by the main unit

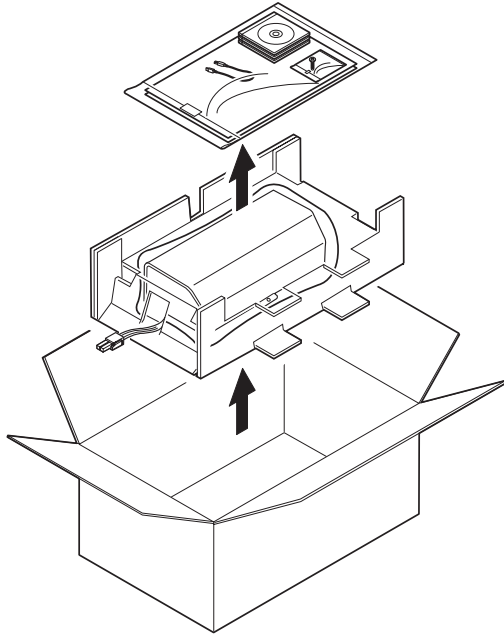
**[e-STUDIO162/162D, e-STUDIO151/151D]**

- 1) Connection to the system unit
    - Connect to the USB2.0 port
  - 2) Power supply
- Supplied by the main unit.

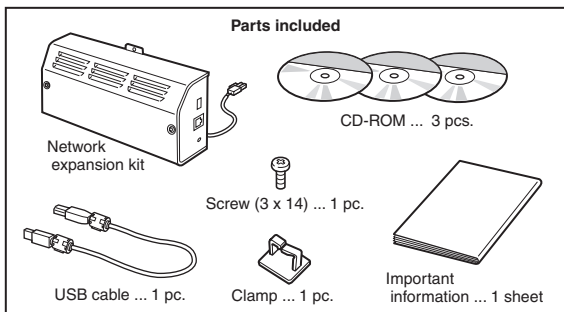
# [ 3 ] UNPACKING AND INSTALLATION

The unpacking and set-up procedure shall be done by a qualified service technician.

## 1. UNPACKING



## 2. PACKAGED GOODS



## 3. INSTALLATION PROCEDURE

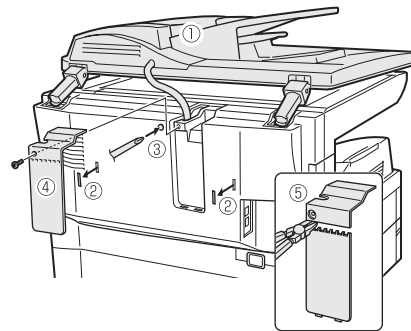
This installation procedure is provided for e-STUDIO162/162D, e-STUDIO151/151D.

For Installation to other models, see the operation manual of the main unit or the service manual.

**Turn off the main switch of the main unit and remove the power plug of the copier from the outlet.**

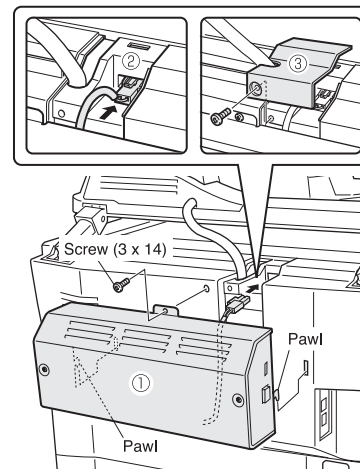
### 1. Cut the rear cabinet.

- 1) Remove the ADF/ RADF from the main unit and gently place it on the document glass as shown in the illustration.
- 2) Cut out two cut-out portions from the rear cabinet using a cutter or the like.
- 3) Use a Phillips screwdriver or the like to open a hole.
- 4) Remove the screw and then remove the rear cabinet cover.
- 5) Cut out a part of the rear cabinet cover with nippers or the like as shown in illustration.  
(Be careful about the orientation of the nippers so that the cross section is flat.)



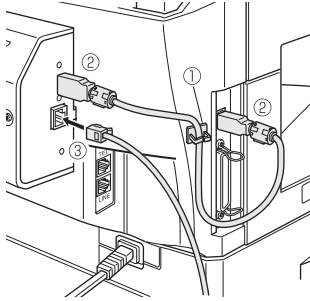
### 2. Attach the network expansion kit.

- 1) Engage the two pawls on the rear of the network expansion kit with the cutout portions of the main unit and secure the kit with the supplied screw (3 x 14).
- 2) Connect the connector of the network expansion kit to the connector of the main unit.
- 3) Secure the rear cabinet cover to the main unit with the screw.
- 4) Attach the ADF/ RADF to the main unit.



### 3. Connect the USB cable and the network cable.

- 1) Attach the supplied cable clamp to the position shown in the illustration.
- 2) Connect the USB cable to the network expansion kit and the main unit.  
At this time, reduce slack of the cable with the cable clamp as shown in the illustration.
- 3) Connect the network cable.






Insert the power plug of the copier to the outlet, turn the main switch of the copier to the "ON" position, and then perform network setting and installation of the software.

# [ 4 ] SETUP IN A WINDOWS ENVIRONMENT

## 1. SETTING THE IP ADDRESS OF THE MACHINE

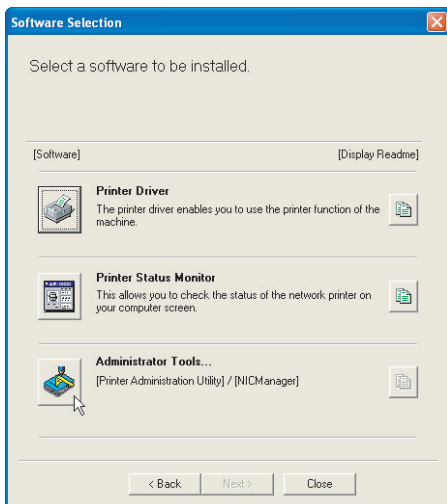
Before installing the printer driver, be sure to set the IP address of the machine. Consult your network administrator for the correct IP address, subnet mask, and default gateway to be entered. If a DHCP server will automatically assign an IP address to the machine, the following procedure is not necessary. (To check the IP address assigned to the machine by DHCP, see "2. CHECKING THE IP ADDRESS" .)

Note: If the machine is used in a DHCP environment, the machine's IP address may change automatically. If this happens, printing will no longer be possible. In this event, use a WINS server or do not use the machine in a DHCP environment.

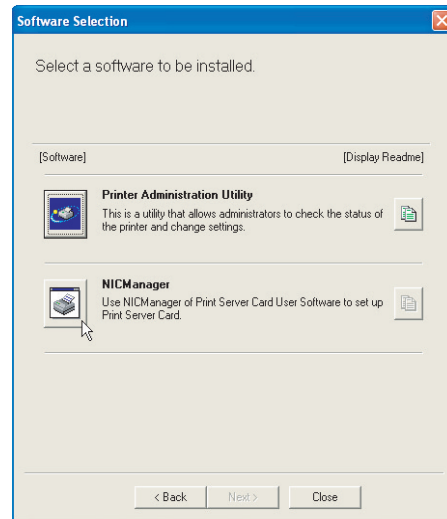
- 1) Make sure that the LAN cable is connected to the machine and then turn on the machine.
- 2) Insert the network expansion kit GA-1170 "Software" CD-ROM into your computer's CD-ROM drive.
- 3) Click the "start" button, click "My Computer" (  ), and then double-click the CD-ROM icon (  ).  
In Windows 95/98/Me/NT 4.0/2000, double-click "My Computer" and then double-click the CD-ROM icon.
- 4) Double-click the "setup" icon (  ).

Note: If the language selection screen appears after you double click the "setup" icon, select the language that you wish to use and click the "Next" button. (Normally the correct language is selected automatically.)

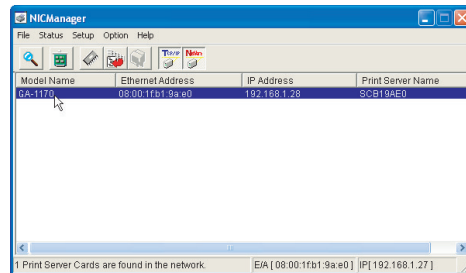
- 5) The "SOFTWARE LICENSE" window will appear. Make sure that you understand the contents of the license agreement, and then click the "Yes" button.
- 6) Read the message in the "Welcome" window and then click the "Next" button.
- 7) Click the "Administrator Tools" button.



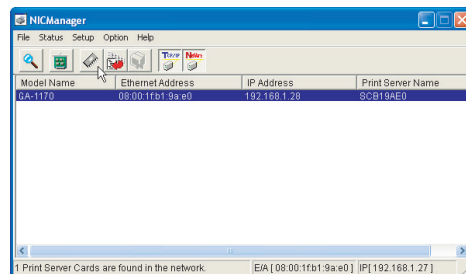
- 8) Click the "NICManager" button.



- 9) The printer or printers connected to the network will be detected. Click the printer to be configured (the machine).  
Select the "GA-1170".



- 10) Click the "Print Server Card Setup" button.



Enter your password in the password entry screen and click "OK".

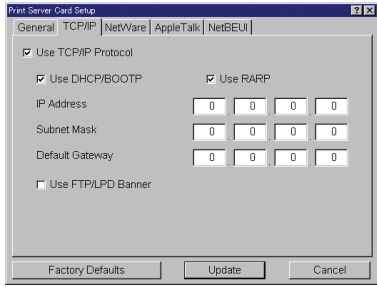
The Print Server Card Setup window will appear.

The password for this product has been initially set to "TOSHIBA".

If the "Guest user" checkbox is selected, the settings can be viewed but not configured.

- 11) Click the "TCP/IP" tab.

12) Configure the settings and then click the "Update" button.



Be sure to ask your network administrator for the correct IP address, subnet mask, and default gateway to be entered.

13) Your changes to the settings appear.

Make sure that the changes are correct and then click the "OK" button.

14) Restart the machine.

Power off the machine and then power it back on.

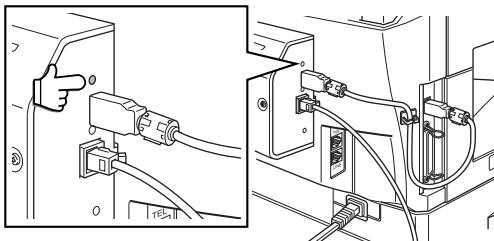
15) Select "Search" from the "File" menu.

The IP address that you entered will appear. Make sure that it is correct.

The completes the IP address settings.

## 2. CHECKING THE IP ADDRESS

To check the IP address of the machine, press the status button on the network expansion kit to print out a network status page.



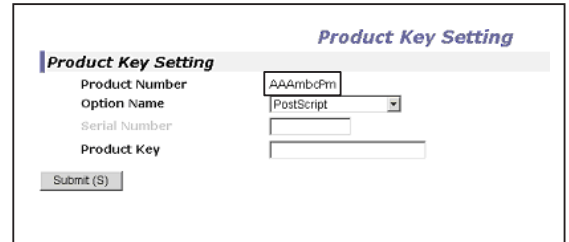
## 3. PRODUCT KEY SETTING

To enable the PS3 function and the e-mail status & alerts function, follow the procedures below. In addition, to enable the PS3 function, you need GA-1180 (option).

- 1) Make sure that the LAN cable is connected to the machine and then turn on the machine.
- 2) Enter the IP address in web browser to open the web page.
- 3) Select "Product Key Setting" in "Device Setup" from MENU.



- 4) Set "User name" to "admin" and "Password" to "TOSHIBA" in the screen displayed.
- 5) Click the "OK" button to obtain the "Product Number".



- 6) Fill in the product number in the following column of the product sheet (MACHINE SERIAL NUMBER).

| APPLICATION NUMBER | MACHINE SERIAL NUMBER | PRODUCT KEY |
|--------------------|-----------------------|-------------|
| XXXXXXXXXX         |                       |             |

- 7) Obtain the product key with APPLICATION NUMBER and MACHINE SERIAL NUMBER in the product sheet.  
For specific procedure to obtain the product key, contact the TOSHIBA authorized dealer.  
In addition, keep the product sheet after filling in since the product key is important information.
- 8) Enter the product key in the web page displayed in 5), and click the "Submit" button.

This completes the PS3 setting.

- 9) Select "E-mail status & alerts" from the "Option Name" list in the "Product Key Setting" screen.

- 10) Click the "Submit" button.

This completes the e-mail status & alerts function setting.

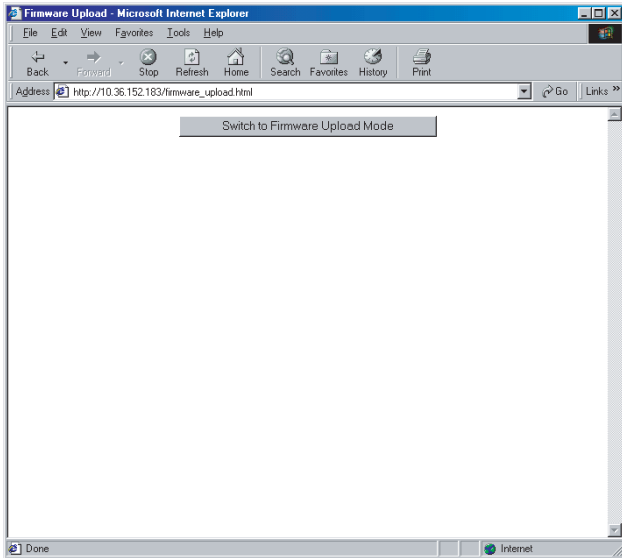
# [ 5 ] Updating Network Box Firmware

Update the Network Box firmware in the following procedure using a Web browser.

1. Display the web page for updating Network Box firmware

Start the browser on your PC and specify the following URL. A web page, as shown in Fig. 1, appears on screen.

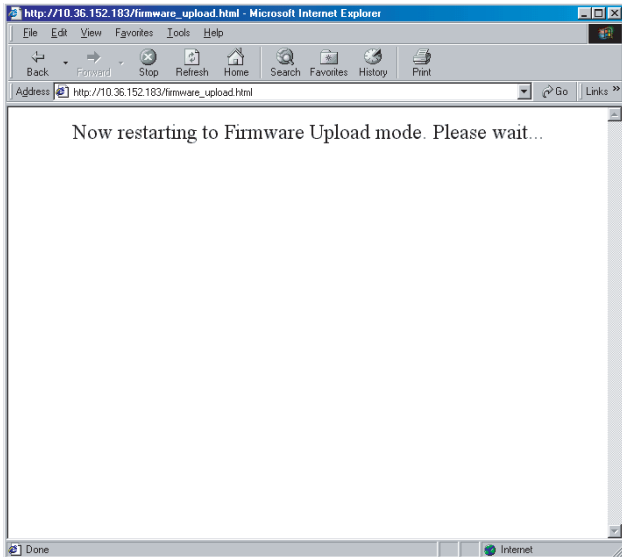
http://<IP Address of Network Box>/firmware\_upload.html



[Fig.1: Web page for updating Network Box firmware]

2. Switch to firmware upload mode

Click the button on the screen, the message shown in Fig. 2 appears.

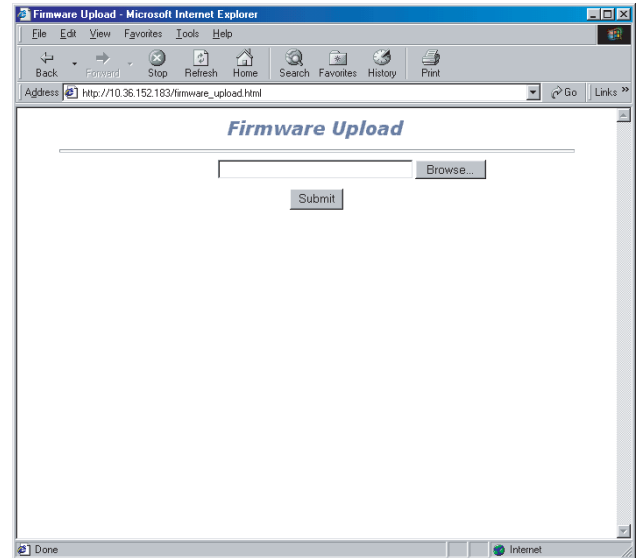


[Fig.2: Switch to firmware upload mode]

The page changes to the Network Box firmware upload mode.

The browser is automatically reloaded and then the screen looks like this.

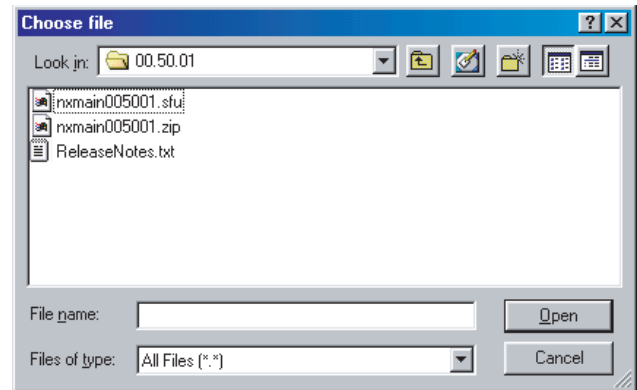
\*When the screen shown in fig.3 is not displayed, refresh a browser manually.



[Fig. 3: Upload mode]

3. Specifying the file

Click the Browse button. Selects the firmware of the Network Box version you want to update, from the file selection menu indicated in Fig.4.



[Fig. 4: Specifying the file]

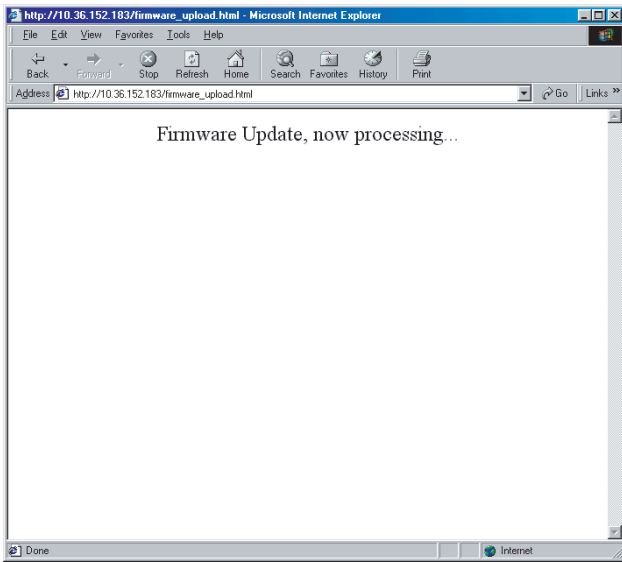
Note: If you want to set the IP address of the Network Box at first, use the NIC Manager. Select and set your model name and an appropriate Ethernet address from the list.

Both the Boot and Main files can be updated in the same procedure as mentioned above. However, when you want to update both at the same time, you need to update them separately by repeating the same procedure twice.

When updating both files, it is required to first update Boot and then Main.

4. Updating the firmware

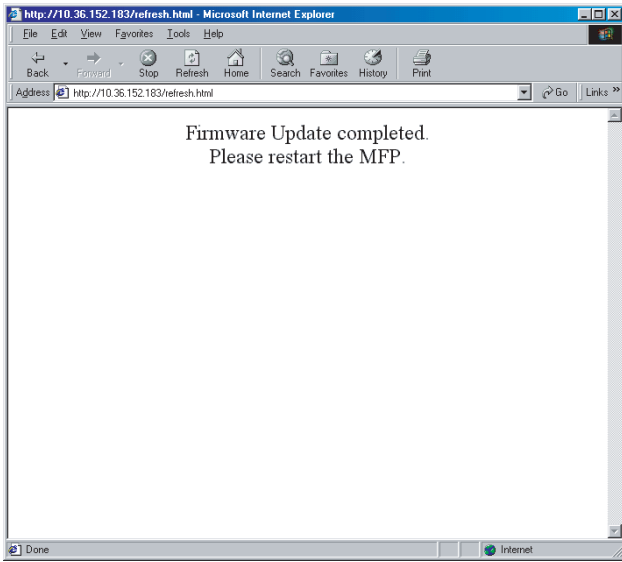
After you select the file, click the Submit button. The firmware is transmitted to Network Box, and it is updated. The message indicated in Fig.5 blinks repeatedly until the updating process is completed. Do not turn off the power supply.



[Fig.5: Updating in progress]

5. Restarting your MFP

When updating is completed, the message shown in Fig.6 appears on screen. Turn off the power and then turn it on again to restart Network Box.



[Fig.6: Updating completed]

Caution: If a DHCP is used, the browser may not be able to reload automatically in some cases when transferring to the upload mode because different IP addresses are read. Therefore, we recommend that you use a fixed IP address when updating firmware.

If the upload mode is operating with different IP addresses, check the IP address obtained by the Ethernet address of Network Box from the DHCP server and display the updating mode URL again using the browser.

When a proxy server is used, the screen may not be updated by reloading. In that case, you need to update manually.



# [ 6 ] TROUBLE CODE

## 1. TROUBLE CODE (CE CODE)

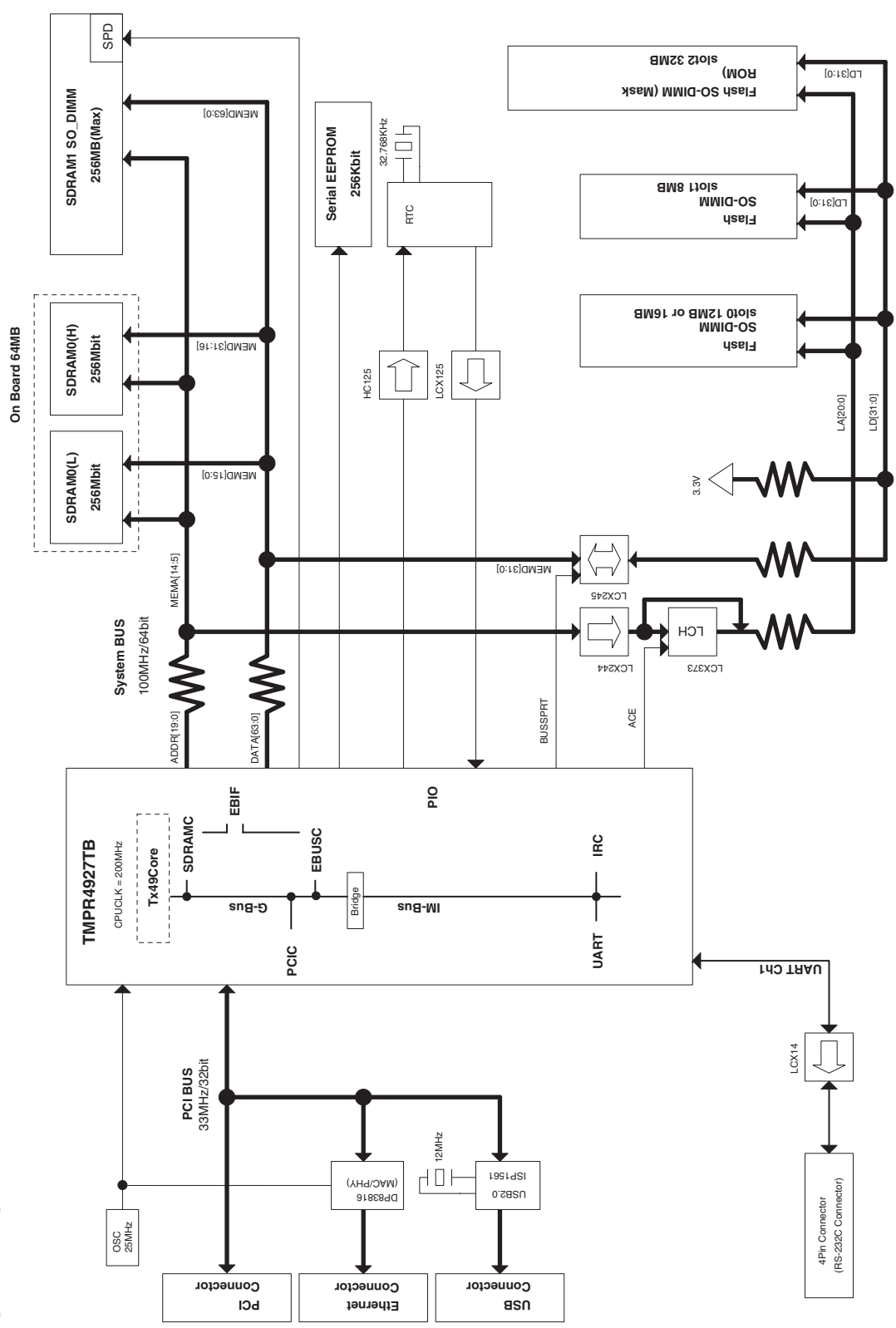
If "CE" blinks in the display, press the [START] key. An error code will appear.(Only e-STUDIO162/162D, e-STUDIO151/151D displays an error code automatically.) Solve the problem as explained below.

| Error Code | Solution   |
|------------|--|
| CE-00      | Error which cannot be specified occurred.<br>Turn off the power and turn it back on. Consult with your network administrator to make sure that no problems exist on the network or in the server.  |
| CE-01      | Network Server card error.<br>Turn off the power and turn it back on. Consult with your network administrator to make sure that no problems exist on the network or in the server.   |
| CE-02      | Server access denied. The scanned image was not sent because a connection to the server could not be established. Make sure that the SMTP server settings or FTP server settings in the Web page are correct.  |
| CE-03      | The scanned image was not sent because the server was busy or there was too much traffic. Wait briefly and then try again.   |
| CE-04      | It has not logged in to the FTP server and the mail server. Please reconfirm the login name and a password.  |
| CE-05      | The scanned image was not sent because the directory of the destination FTP server was not correct. Make sure that the correct FTP server information is configured in the Web page.   |
| CE-09      | The size of the scanned image file exceeds the upper limit set in "Maximum Size of File" in the Web page. Reduce the number of original pages scanned into the file, or change the upper limit set in "Maximum Size of File".  |
| CE-10      | A transmission method assigned to a [SCAN MENU] key cannot be used. Check the transmission methods assigned to the [SCAN MENU] keys in "Enable Scanner Delivery to:" in the Web page whether or not the method can be used.  |
| CE-11      | The memory filled with scanner data.<br>It was not able to process by the size of a scanner data being too large.<br>Please drop resolution of data by setup of scanner and retry scan.  |
| CE-12      | The quantity of the result for which LDAP searched exceeded the maximum quantity which can be searched.<br>There are too many addresses which were in agreement with reference conditions.<br>Please increase the number of reference characters and perform re-reference. |

# [ 7 ] CIRCUIT DIAGRAM

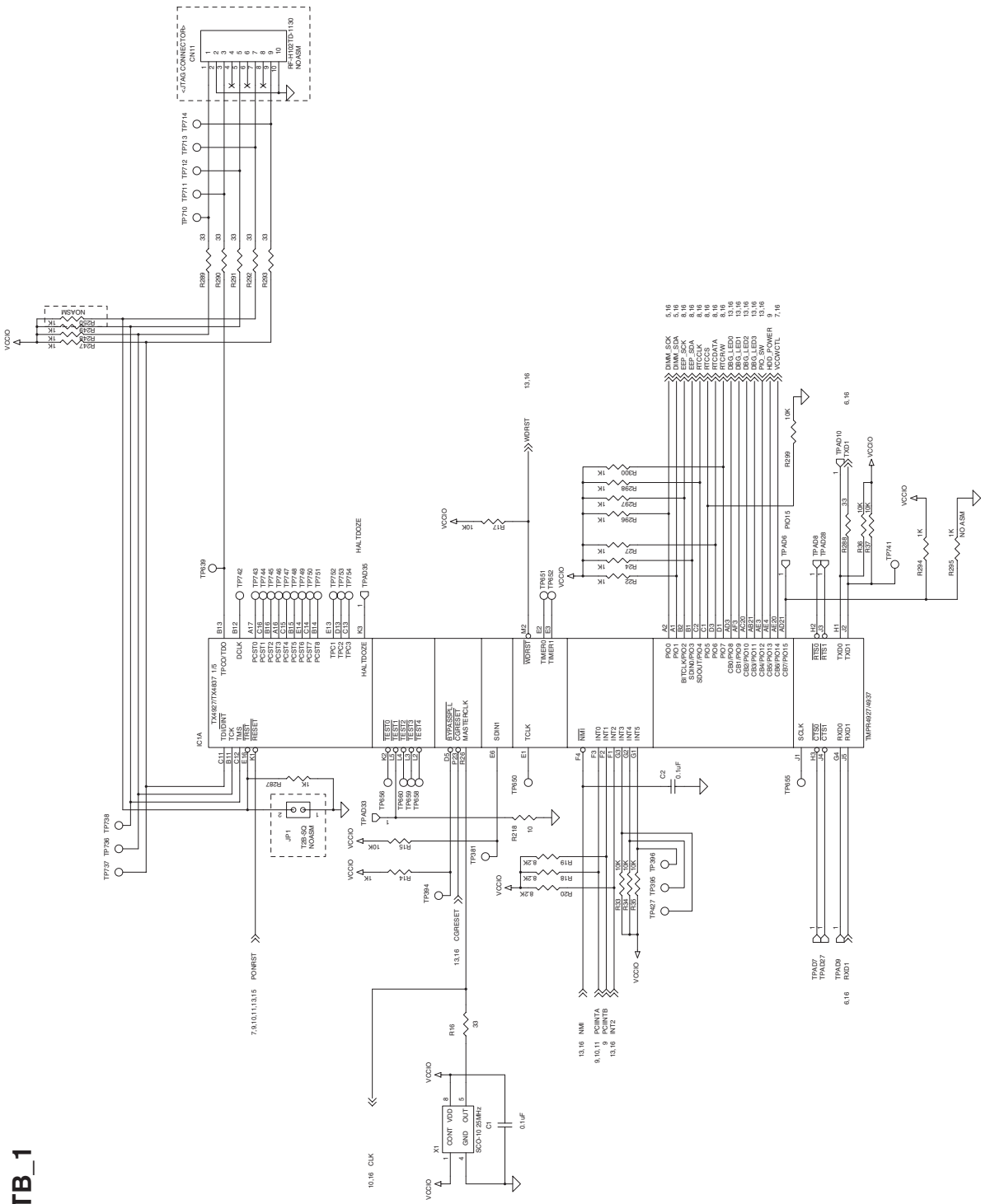
## 1. BLOCK DIAGRAM

1/16



# 2. MAIN PWB TMPR4927TB\_1

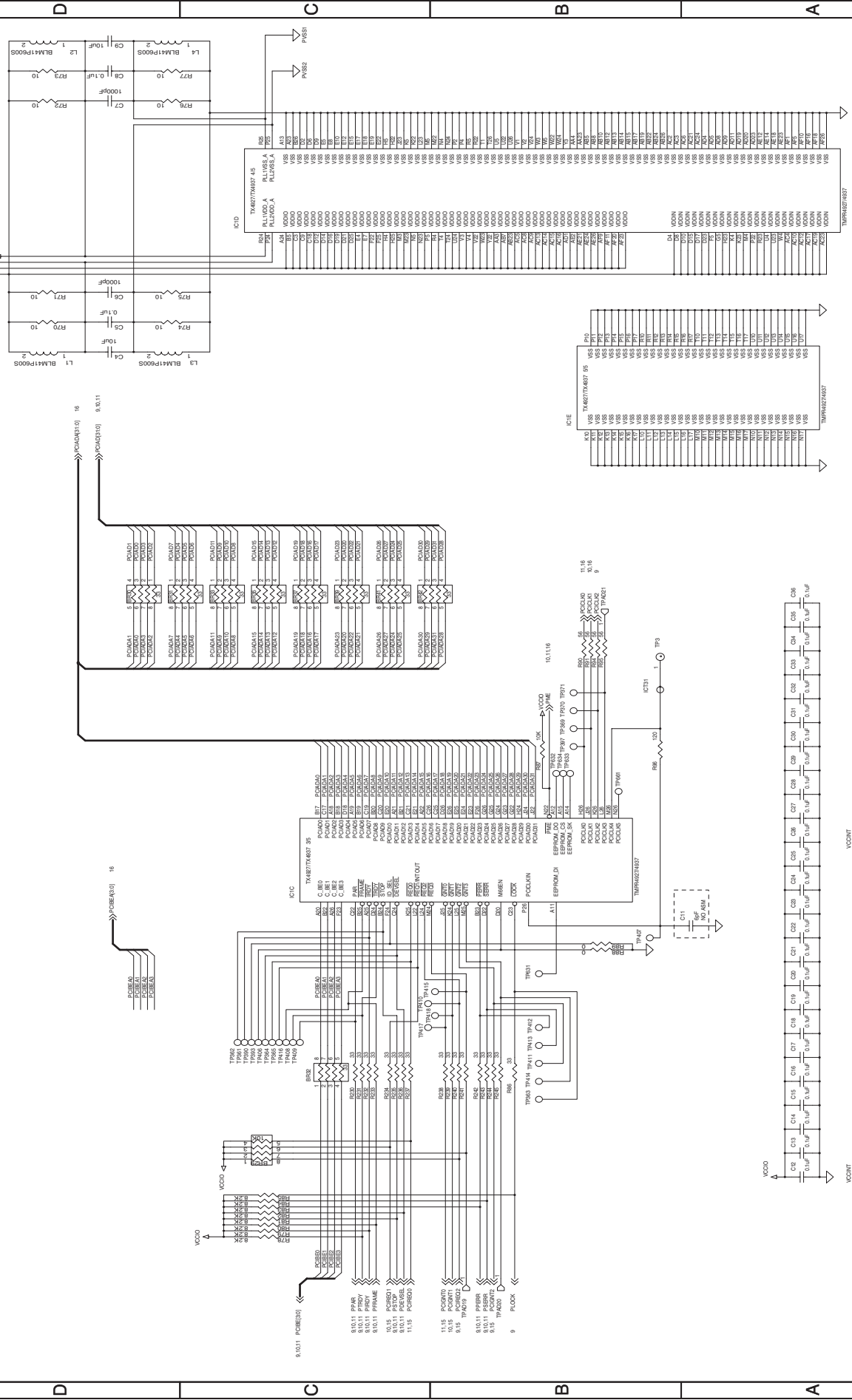
2/16





TMPR4927TB\_3

4/16

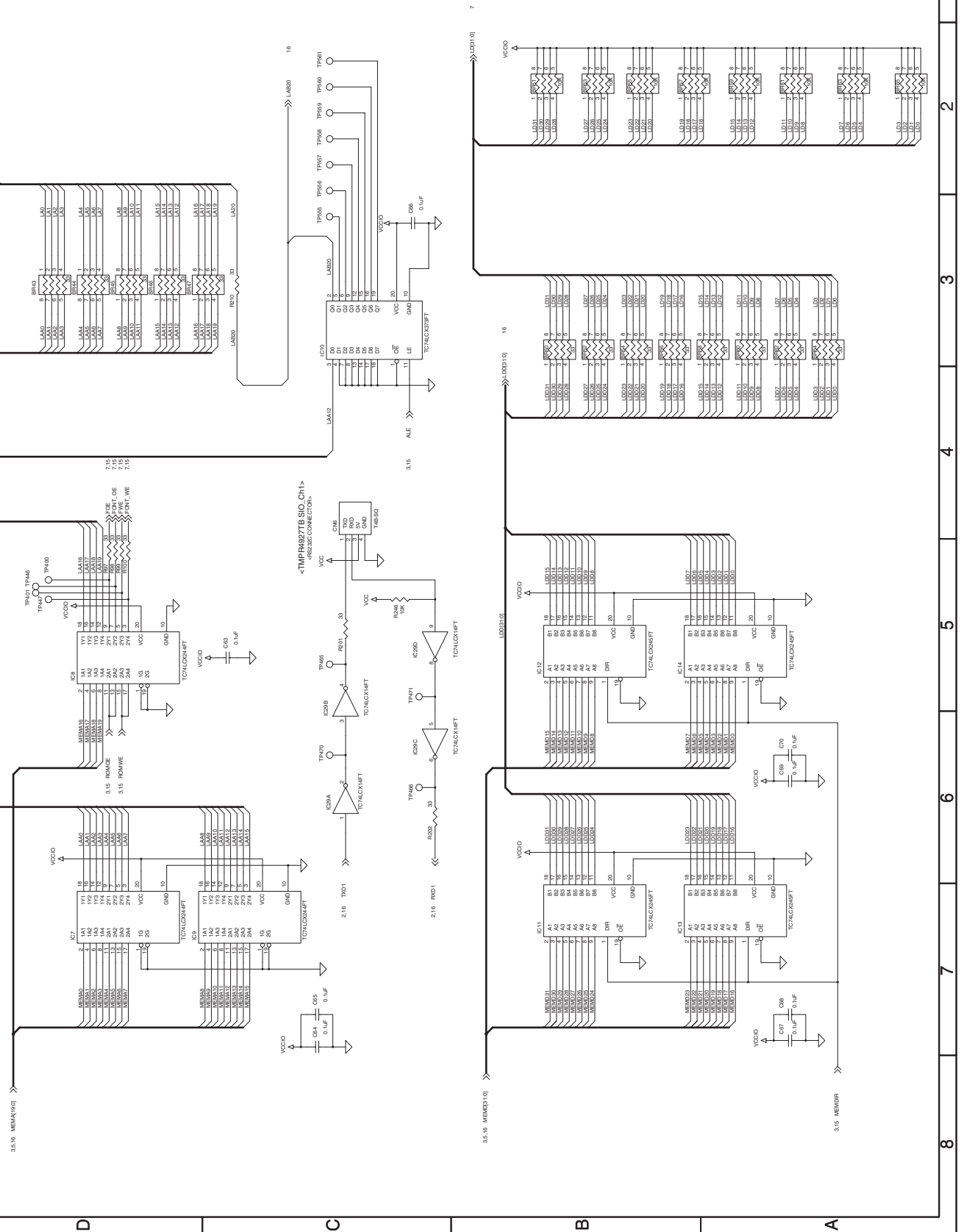


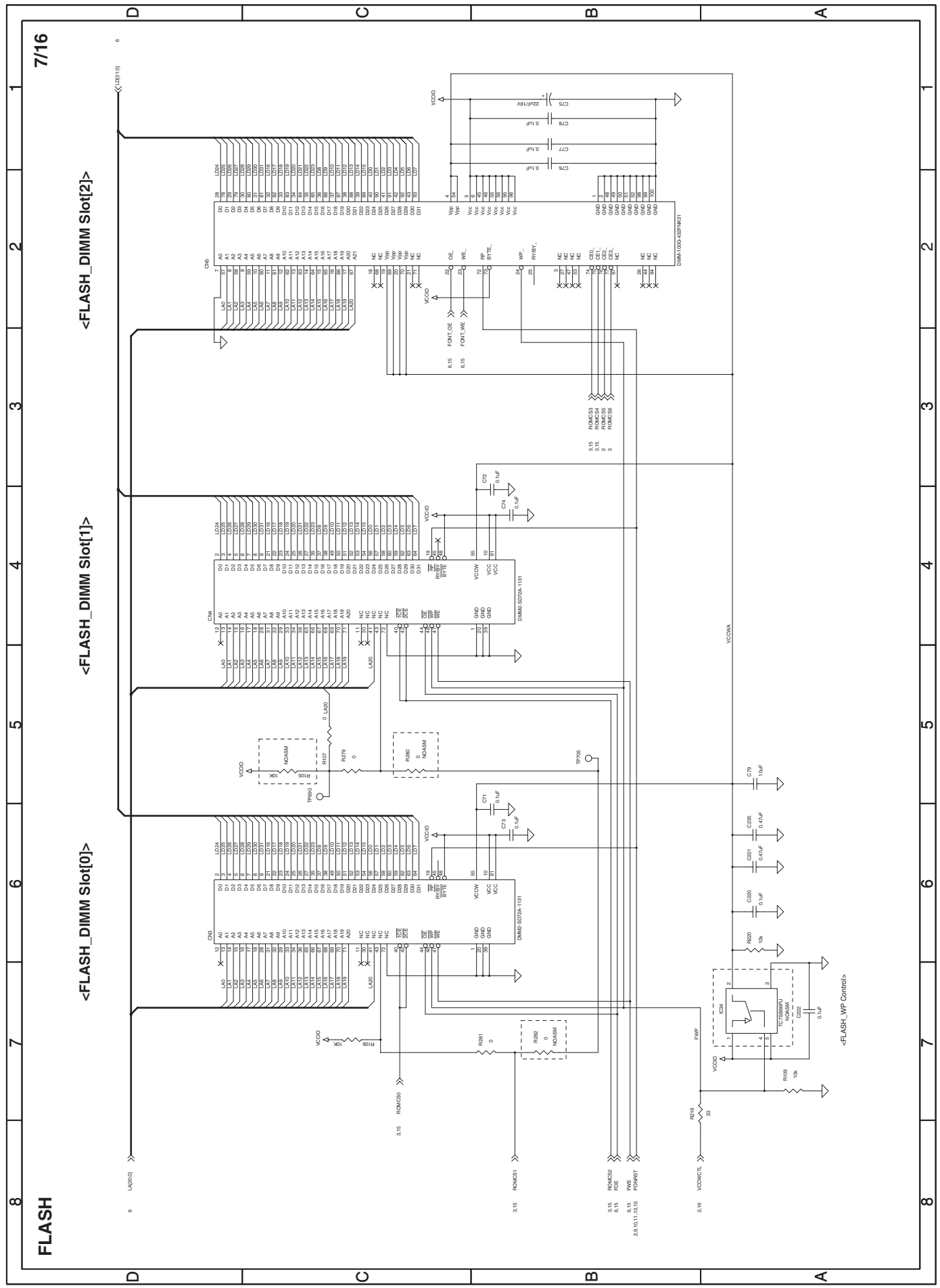
GA-1170 CIRCUIT DIAGRAM



# ADDRESS\_BUFFER/DATA\_BUFFER

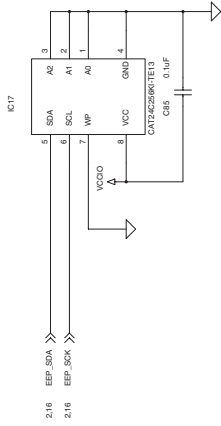
6/16



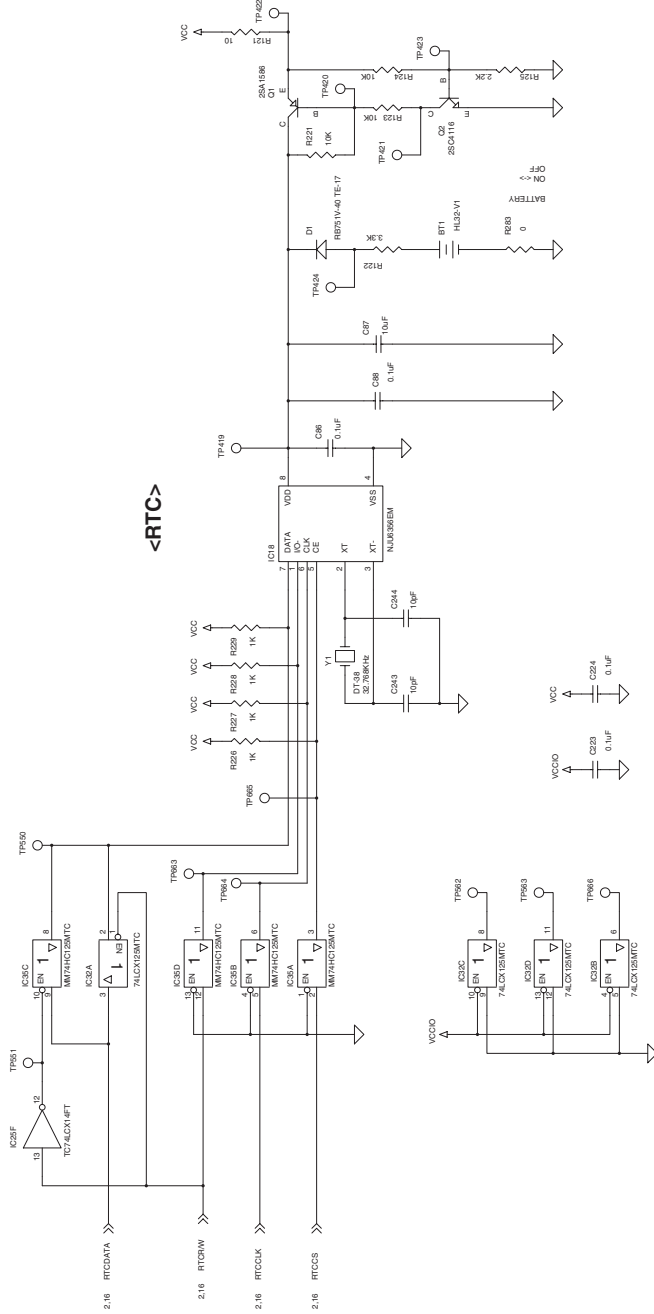


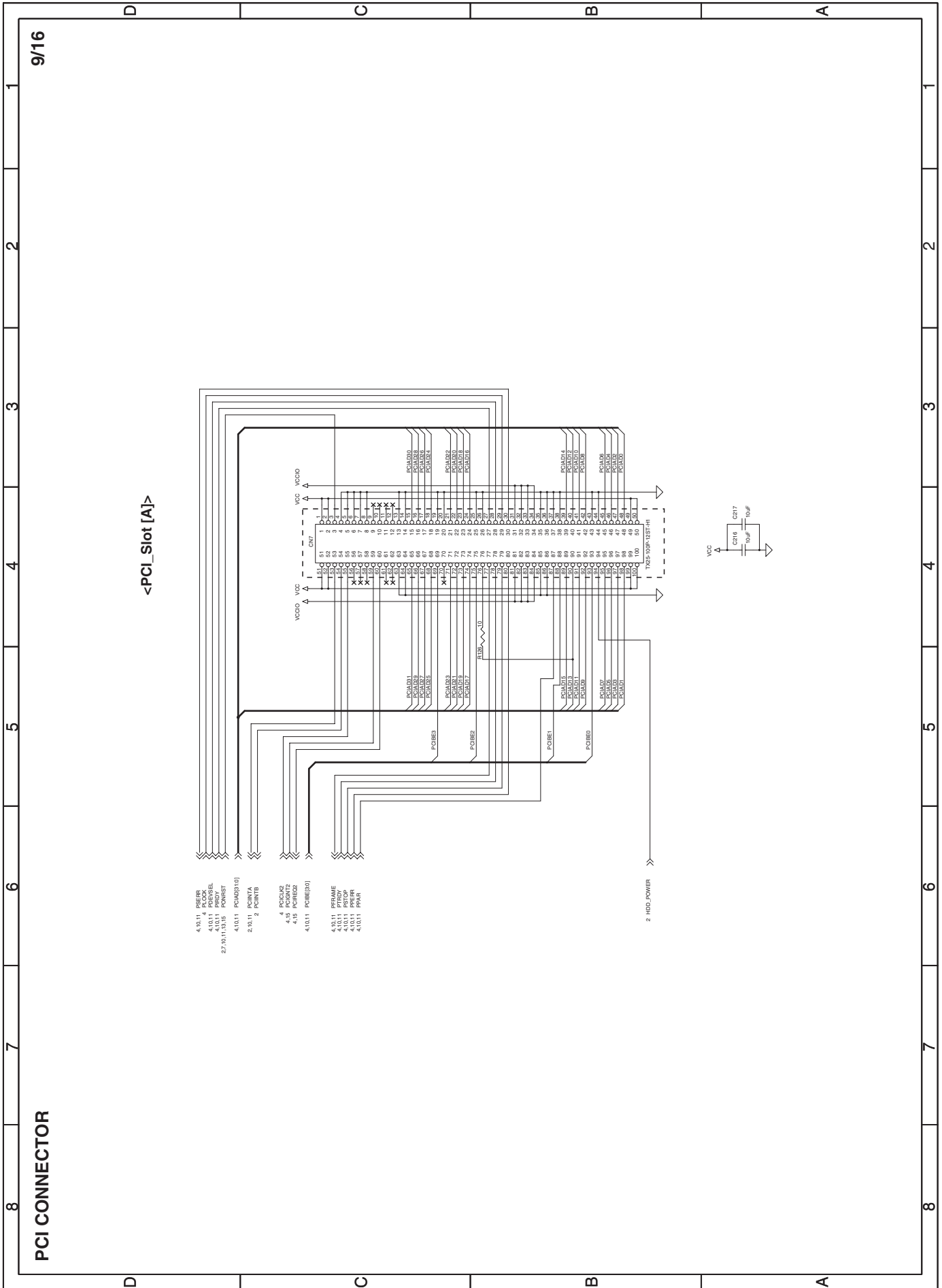


<Serial EEPROM>



<RTC>



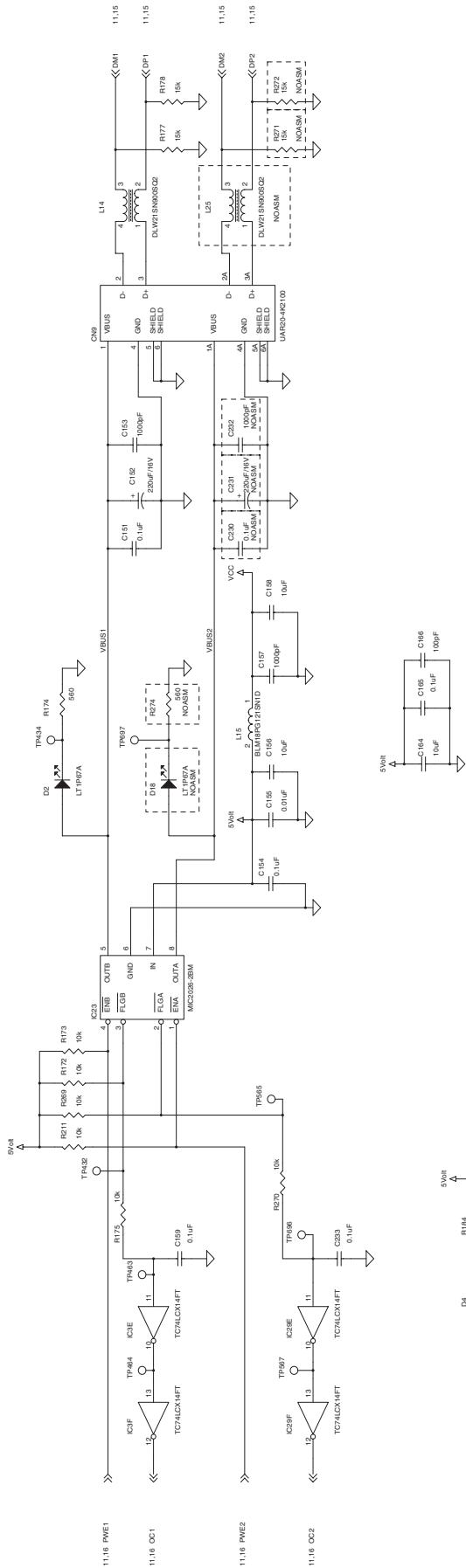






USB CONNECTOR

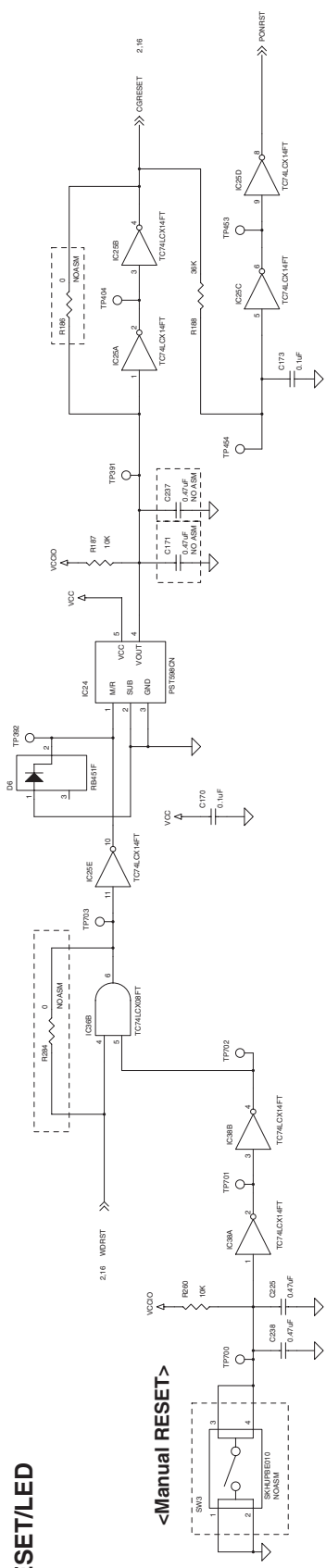
12/16



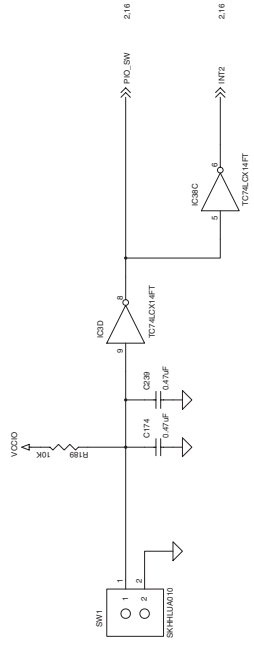
# RESET/LED

13/16

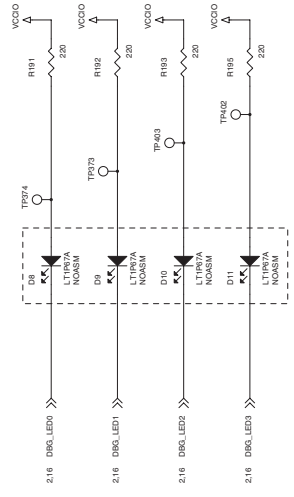
## <Manual RESET>



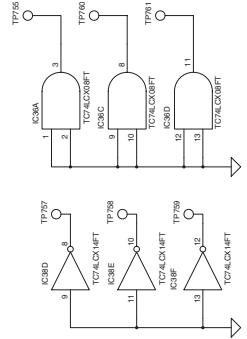
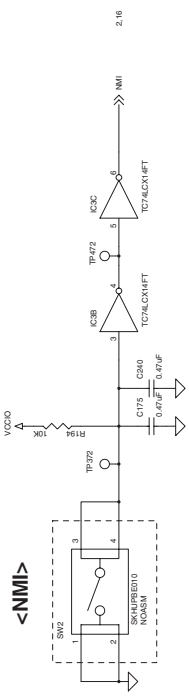
## <Manual Initialization>



## <DEBUG LED>

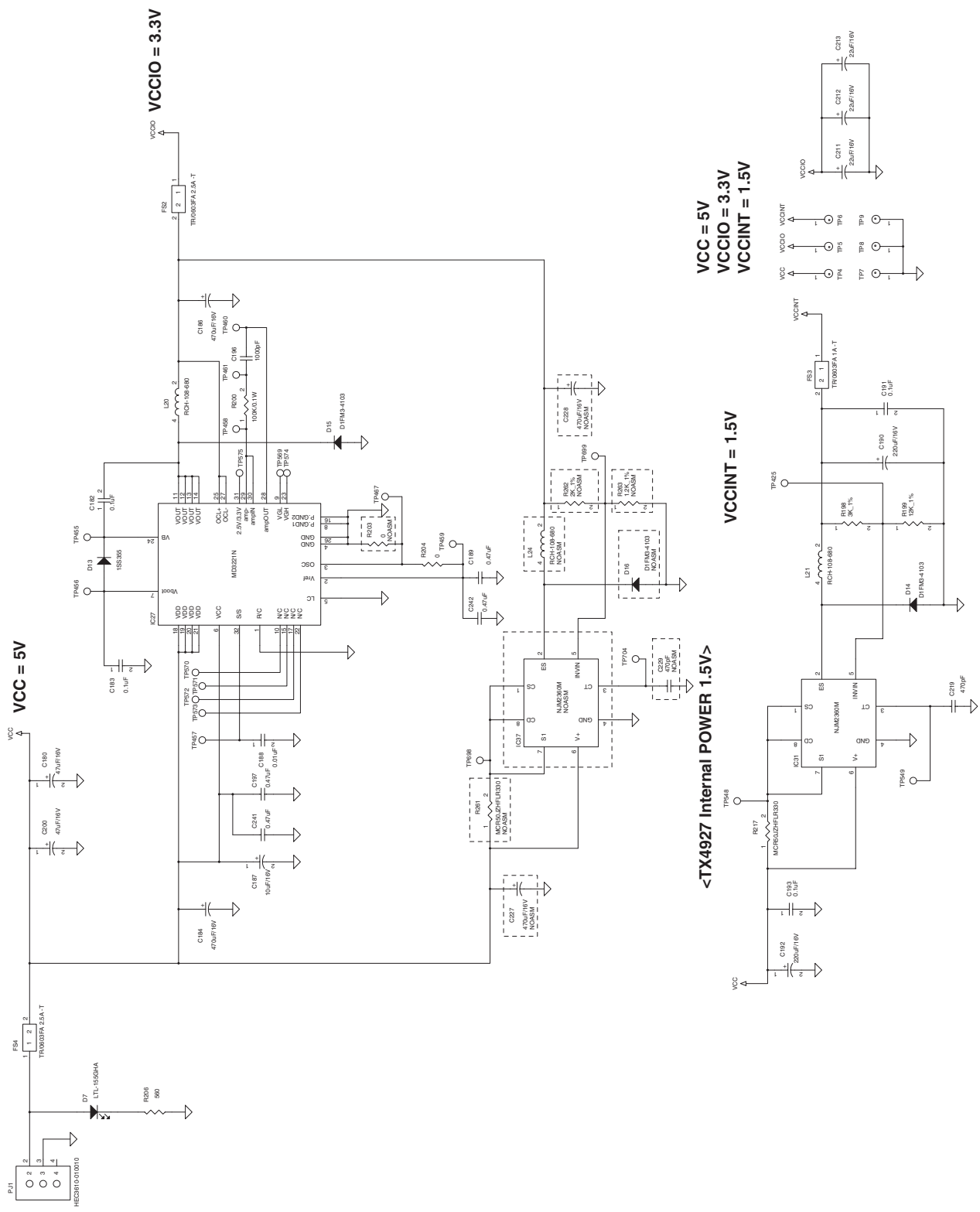


## <NMI>



# POWER

14/16



<TX4927 Internal POWER 1.5V>

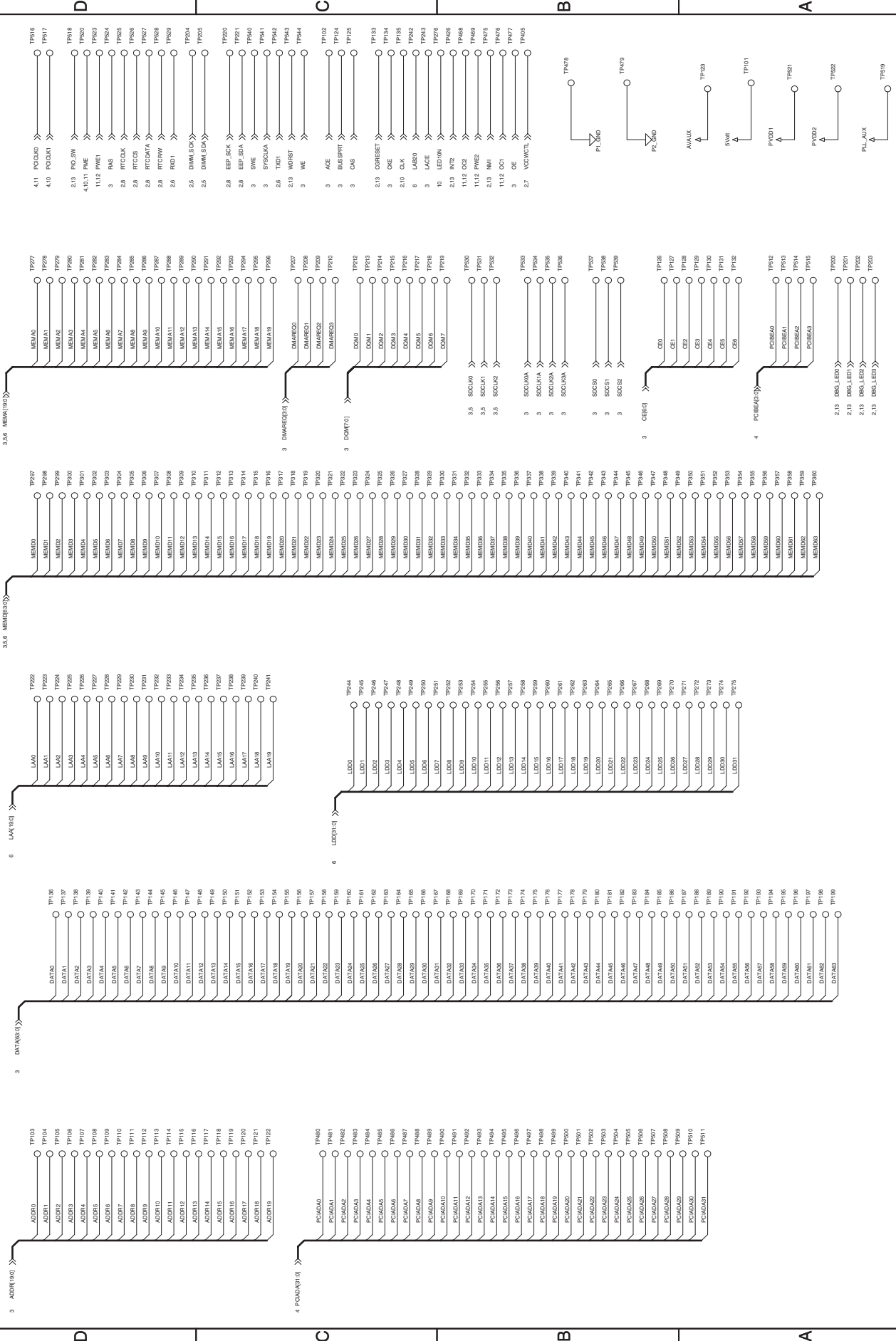
VCC = 5V  
VCCIO = 3.3V  
VCCINT = 1.5V





TESTPOINT

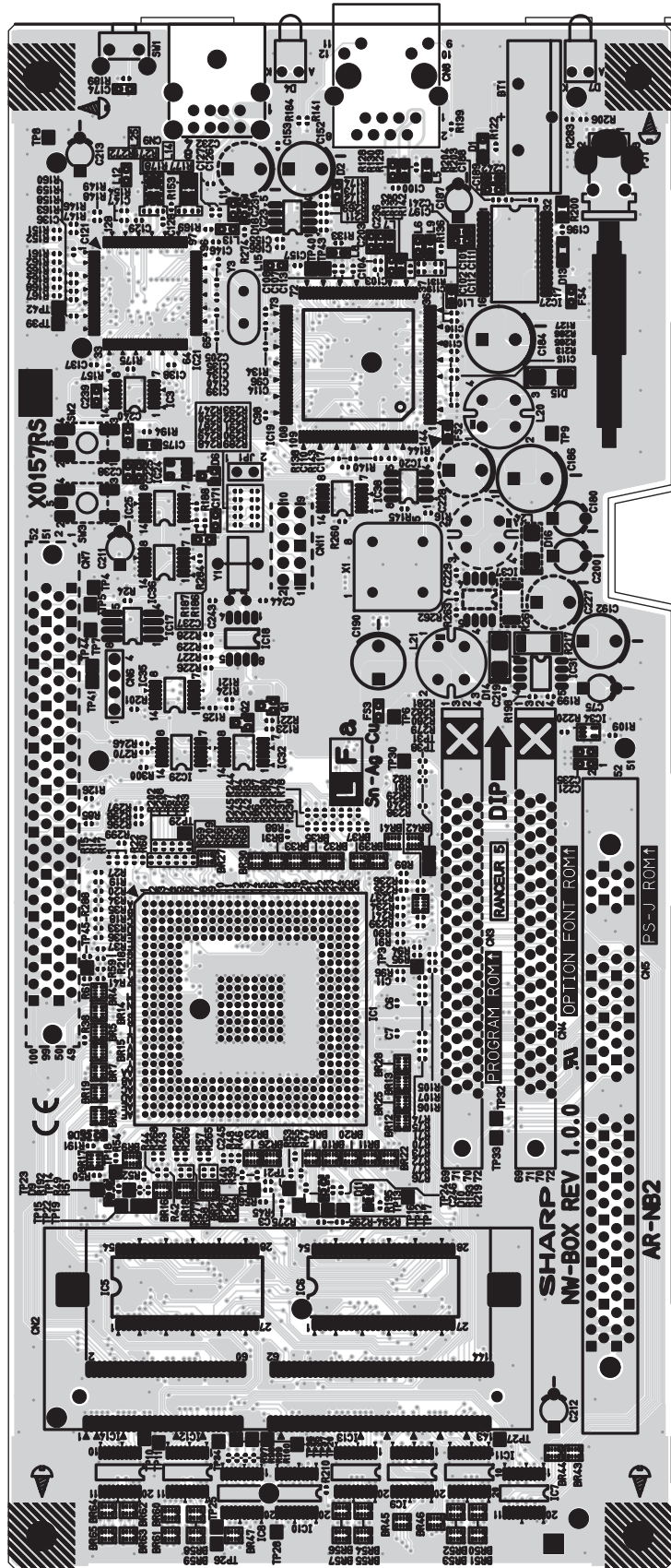
16/16



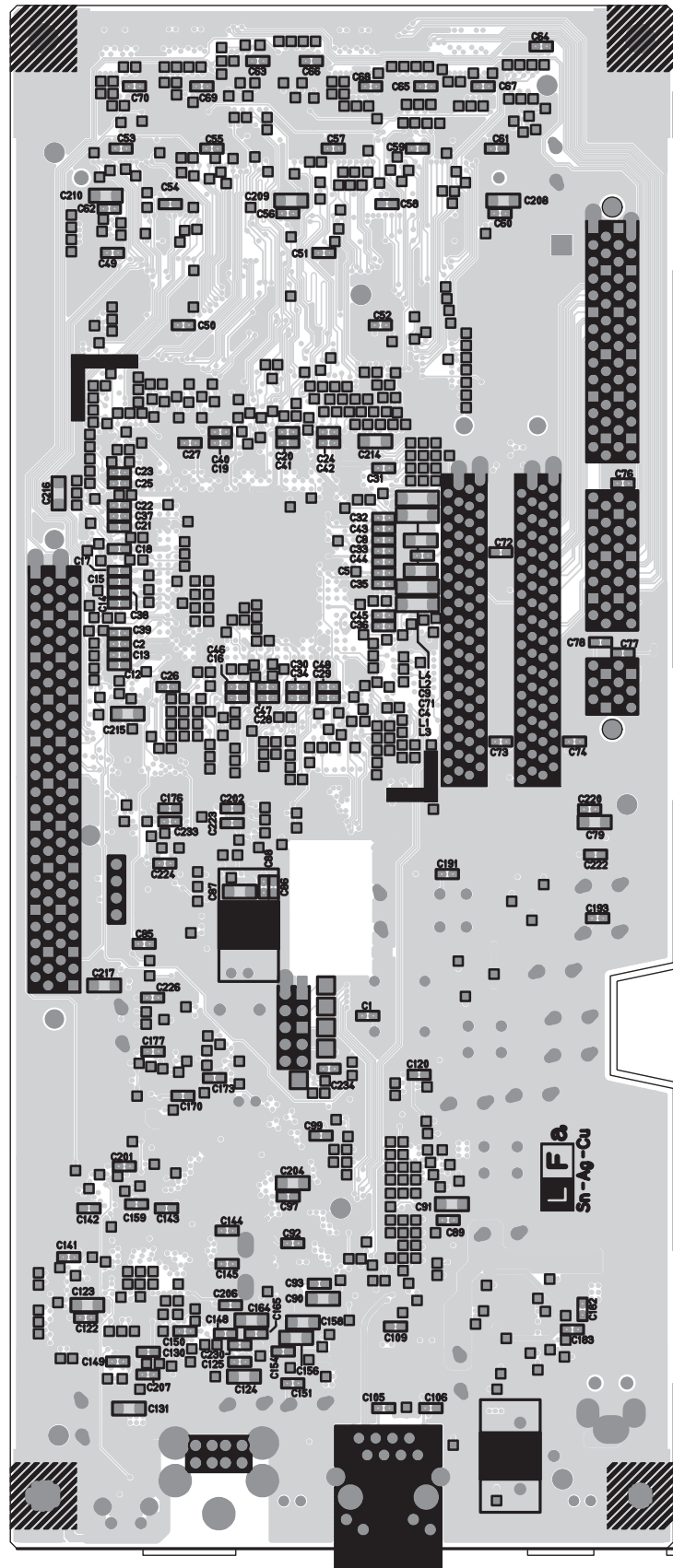
GA-1170 CIRCUIT DIAGRAM

# [ 8 ] PARTS LAYOUT

## 1. PARTS SIDE



2. SOLDER SIDE



#### CAUTION FOR BATTERY REPLACEMENT

- (Danish)                   ADVARSEL !  
Lithiumbatteri - Eksplosionsfare ved fejlagtig håndtering.  
Udskiftning må kun ske med batteri  
af samme fabrikat og type.  
Levér det brugte batteri tilbage til leverandoren.
- (English)                   Caution !  
Danger of explosion if battery is incorrectly replaced.  
Replace only with the same or equivalent type  
recommended by the manufacturer.  
Dispose of used batteries according to manufacturer's instructions.
- (Finnish)                   VAROITUS  
Paristo voi räjähtää, jos se on virheellisesti asennettu.  
Vaihda paristo ainoastaan laitevalmistajan suosittelemaan  
tyyppiin. Hävitä käytetty paristo valmistajan ohjeiden  
mukaisesti.
- (French)                   ATTENTION  
Il y a danger d'explosion s'il y a remplacement incorrect  
de la batterie. Remplacer uniquement avec une batterie du  
même type ou d'un type équivalent recommandé par  
le constructeur.  
Mettre au rebut les batteries usagées conformément aux  
instructions du fabricant.
- (Swedish)                   VARNING  
Explosionsfara vid felaktigt batteribyte.  
Använd samma batterityp eller en ekvivalent  
typ som rekommenderas av apparattillverkaren.  
Kassera använt batteri enligt fabrikantens  
Instruktion.
- (German)                   Achtung  
Explosionsgefahr bei Verwendung inkorrekt er Batterien.  
Als Ersatzbatterien dürfen nur Batterien vom gleichen Typ oder  
vom Hersteller empfohlene Batterien verwendet werden.  
Entsorgung der gebrauchten Batterien nur nach den vom  
Hersteller angegebenen Anweisungen.

#### CAUTION FOR BATTERY DISPOSAL

(For USA,CANADA)

"BATTERY DISPOSAL"  
THIS PRODUCT CONTAINS A LITHIUM PRIMARY  
(MANGANESE DIOXIDE) MEMORY BACK-UP BATTERY  
THAT MUST BE DISPOSED OF PROPERLY. REMOVE THE  
BATTERY FROM THE PRODUCT AND CONTACT YOUR  
LOCAL ENVIRONMENTAL AGENCIES FOR INFORMATION  
ON RECYCLING AND DISPOSAL OPTIONS.

"TRAITEMENT DES PILES USAGÉES"  
CE PRODUIT CONTIENT UNE PILE DE SAUVEGARDE DE  
MÉMOIRE LITHIUM PRIMAIRE (DIOXYDE DE MANGANESE)  
QUI DOIT ÊTRE TRAITÉE CORRECTEMENT. ENLEVEZ LA  
PILE DU PRODUIT ET PRENEZ CONTACT AVEC VOTRE  
AGENCE ENVIRONNEMENTALE LOCALE POUR DES  
INFORMATIONS SUR LES MÉTHODES DE RECYCLAGE ET  
DE TRAITEMENT.

**TOSHIBA**

**TOSHIBA TEC CORPORATION**

2-17-2, HIGASHIGOTANDA, SHINAGAWA-KU, TOKYO, 141-8664, JAPAN